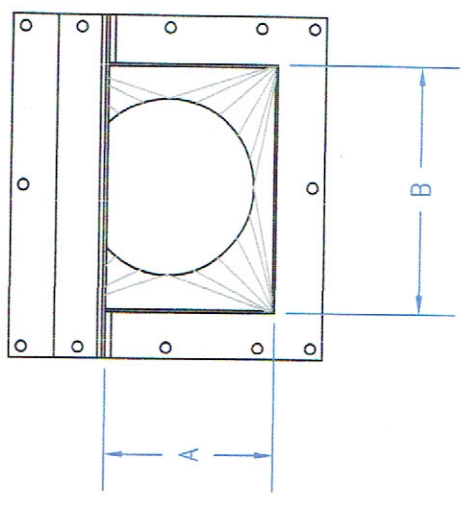
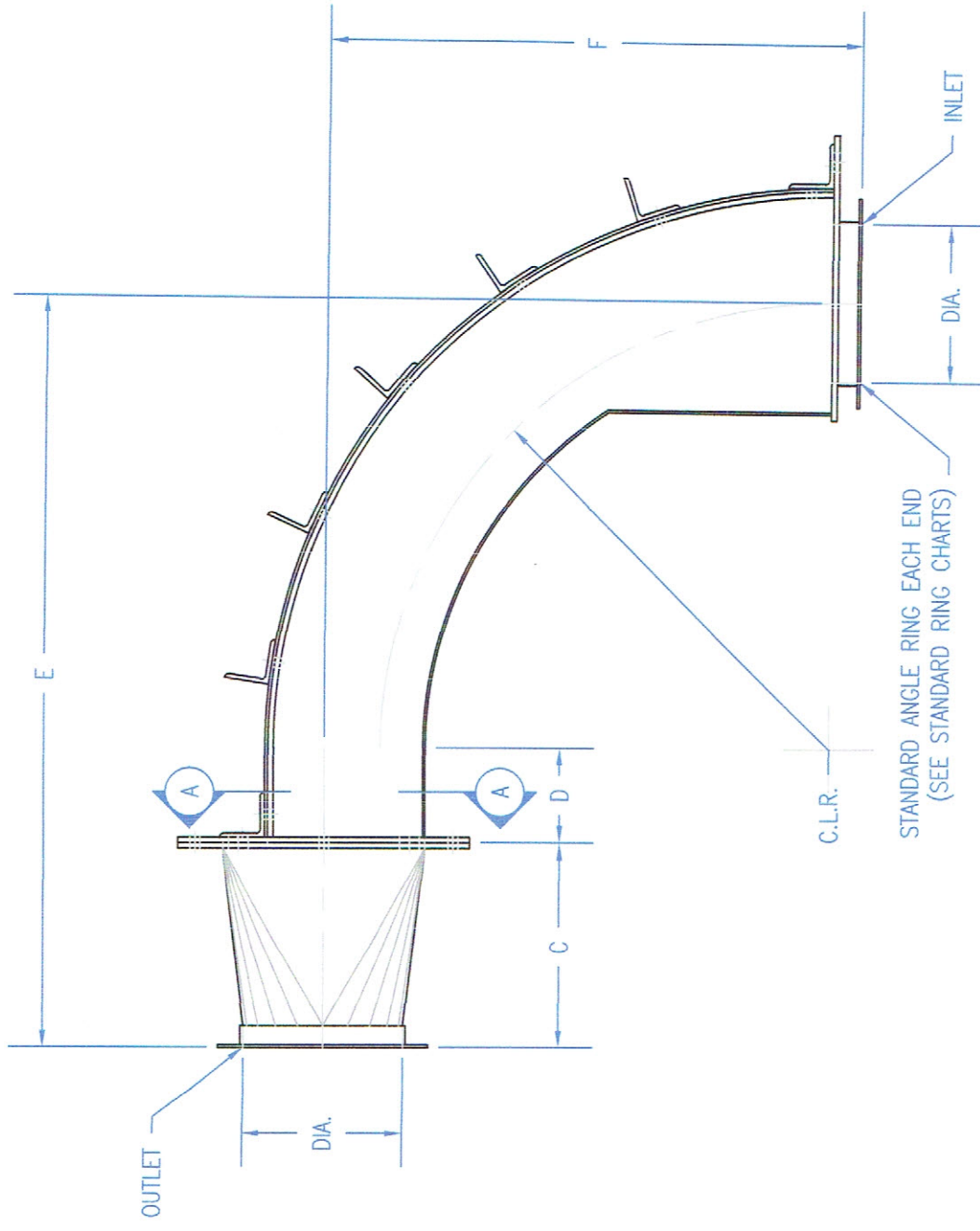


Standard Heavy Duty, Replaceable Back Elbows

| DIA. | A | B | C | D | E | F | C.L.R. | Housing Ga. | Transition Ga. | Wrapper Ga. | DIA. |
|------|-----|-----|---------|----|---------|---------|--------|-------------|----------------|-------------|------|
| 3" | 3" | 5" | 5-3/16" | 2" | 17-1/2" | 13" | 10" | 12 Ga. | 10 Ga. | 10 Ga. | 3" |
| 4" | 3" | 5" | 5-3/16" | 2" | 17-1/2" | 13" | 10" | 12 Ga. | 10 Ga. | 10 Ga. | 4" |
| 5" | 5" | 8" | 7-1/4" | 4" | 26-1/2" | 18-1/2" | 15" | 12 Ga. | 10 Ga. | 10 Ga. | 5" |
| 6" | 5" | 8" | 7-1/4" | 4" | 26-1/2" | 18-1/2" | 15" | 12 Ga. | 10 Ga. | 10 Ga. | 6" |
| 7" | 7" | 10" | 9-1/4" | 4" | 33-1/2" | 23-3/4" | 20" | 12 Ga. | 10 Ga. | 10 Ga. | 7" |
| 8" | 7" | 10" | 9-1/4" | 4" | 33-1/2" | 23-3/4" | 20" | 12 Ga. | 10 Ga. | 10 Ga. | 8" |
| 9" | 9" | 12" | 9-3/4" | 4" | 39" | 29-3/4" | 25 | 12 Ga. | 10 Ga. | 10 Ga. | 9" |
| 10" | 9" | 12" | 9-3/4" | 4" | 39" | 29-3/4" | 25 | 12 Ga. | 10 Ga. | 10 Ga. | 10" |
| 11" | 9" | 13" | 12" | 4" | 46-1/4" | 34-3/4" | 30 | 12 Ga. | 10 Ga. | 10 Ga. | 11" |
| 12" | 9" | 13" | 12" | 4" | 46-1/4" | 34-3/4" | 30 | 12 Ga. | 10 Ga. | 10 Ga. | 12" |
| 13" | 11" | 19" | 15-3/4" | 4" | 55-1/4" | 41-3/8" | 35" | 12 Ga. | 10 Ga. | 10 Ga. | 13" |
| 14" | 11" | 19" | 15-3/4" | 4" | 55-1/4" | 41-3/8" | 35" | 12 Ga. | 10 Ga. | 10 Ga. | 14" |
| 15" | 14" | 19" | 15-3/4" | 4" | 60" | 45-1/4" | 40" | 10 Ga. | 10 Ga. | 3/16" | 15" |
| 16" | 14" | 19" | 15-3/4" | 4" | 60" | 45-1/4" | 40" | 10 Ga. | 10 Ga. | 3/16" | 16" |

***Custom Sizes, Dimensions & Materials Available at Customer Request**



VIEW A-A

STANDARD ANGLE RING EACH END
 (SEE STANDARD RING CHARTS)

C.L.R.